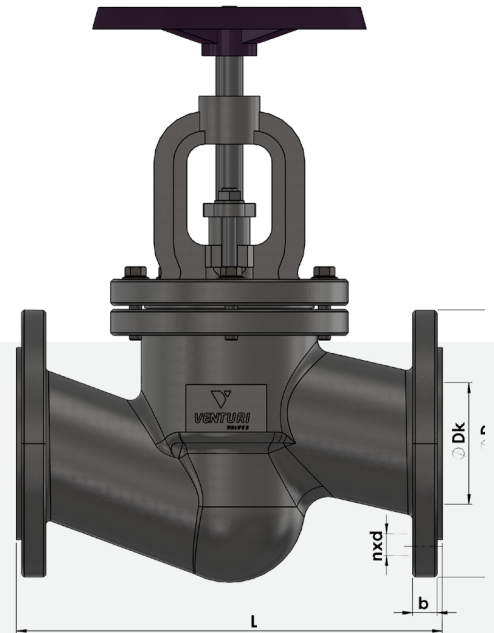


# Metal Bellows Globe Valves

DN15-DN300  
PN16-PN40



List of Materials

Item	Part	Material Group acc. to EN 12516-1			
		Application			
		-10 °C / +300 °C	-10 °C / +350 °C	-10 °C / +400 °C	
1	Body	EN-JL 1040	EN-GJS-400	1.0619	
2	Bonnet	EN-JL 1040	EN-GJS-400	1.0619	
3	Plug/Disc	1.4021	1.4021	A 217 Gr.CA15	
4	Body Welded on with	13Cr or HF (Stellite)			
5	Plug/Disc Welded on with	13Cr or HF (Stellite)			
6	Stem	1.4021 / 1.4122		1.4301	1.4571
7	Stem Nut	1.0715 / 1.7225			
8	Stut Bolts	A193 B7/1.7225	A193 B16 / 1.7709	A193 B8/1.4301	A193 B8M/1.4401
9	Nuts	A194 2H/1.1191	A194 4 / 1.7709	A194 8/1.4301	A194 8M
10	Bonnet Gasket	reinforced pure graphite			
11	Steam Packing	graphite with corrosion inhibitor			
12	Handwheel	steel			

Standarts

Globe Valves according to EN 13709	PN 16	PN 25	PN 40
Face-to-face dimensions	EN 558, Serie 1		
Flanged ends	EN 1092 - 1		
End-to-end dimensions	EN 12982, Serie 64		
Welding ends	EN 12627		

Dimensions PN16

DN		15	20	25	32	40	50	65	80	100	125	150	200	250	300
[mm]	L	130	150	160	180	200	230	290	310	350	400	480	600	730	850
	D	95	105	115	140	150	165	185	200	220	250	285	340	405	460
	Dk	65	75	85	100	110	125	145	160	180	210	240	295	355	410
	b	16	18	18	18	18	18	18	20	20	22	22	24	26	28
	nxd	4x14	4x14	4x14	4x18	4x18	4x18	(2)x18	8x18	8x18	8x18	8x22	12x22	12x26	12x26

Dimensions PN25

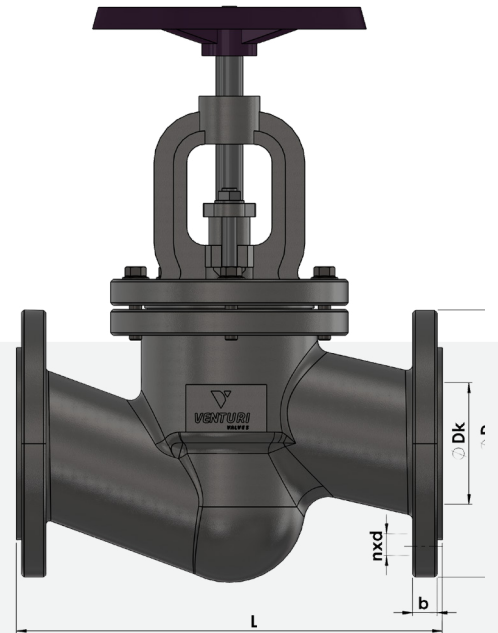
DN		15	20	25	32	40	50	65	80	100	125	150	200
[mm]	FTF/ETE	130	150	160	180	200	230	290	310	350	400	480	600
	L	95	105	115	140	150	165	185	200	235	270	300	360
	D	65	75	85	100	110	125	145	160	190	220	250	210
	DK	16	18	18	18	18	20	22	24	24	26	28	30
	b	4x14	4x14	4x14	4x18	4x18	4x18	8x18	8x18	8x22	8x26	8x26	12x26
nxd													

Dimensions PN40

DN		15	20	25	32	40	50	65	80	100	125	150	200	250	300
[mm]	L	130	150	160	180	200	230	290	310	350	400	480	600	730	850
	D	95	105	115	140	150	165	185	200	235	270	300	375	450	515
	Dk	65	75	85	100	110	125	145	160	190	220	250	320	385	450
	b	16	18	18	18	18	20	22	24	24	26	28	34	38	42
	nxd	4x14	4x14	4x14	4x18	4x18	4x18	8x18	8x18	8x22	8x26	8x26	12x30	12x33	16x33

# Metal Bellows Globe Valves

DN15-DN300  
PN16-PN40



List of Materials

Item	Part	Material Group acc. to ASME B16.34			
		Application			
		-29 °C / +400 °C			
1	Body	A216 WCB			
2	Bonnet	A216 WCB			
3	Plug/Disc	A216 WCB			
4	Body Welded on with	13Cr or HF (Stellite)			
5	Plug/Disc Welded on with	13Cr or HF (Stellite)			
6	Stem	1.4021 / 1.4122		1.4301	1.4571
7	Stem Nut	1.0715 / 1.7225			
8	Stut Bolts	A193 B7/1.7225	A193 B16 / 1.7709		A193 B8/1.4301 A193 B8M/1.4401
9	Nuts	A194 2H/1.1191	A194 4 / 1.7709		A194 8/1.4301 A194 8M
10	Bonnet Gasket	reinforced pure graphite			
11	Steam Packing	graphite with corrosion inhibitor			
12	Handwheel	steel			

Standarts

Globe Valves according to ASME B16.34	CL150 - CL600
Face-to-face dimensions	ASME B16.10
Flanged ends	ASME B16.5
Flanged ends	ASME B16.25

Dimensions CL150												
DN		15	20	25	40	50	65	80	100	150	200	250
[mm]	L	108	117	127	165	203	261	241	292	406	495	622
	D	90	100	110	125	152	178	191	229	279	343	405
	Dk	60,3	69,9	79,4	98,44	120,7	139,7	152,4	190,5	241,3	298,5	362
	b	9,6	11,2	15,9	15,9	20	23	24	24	26	29	29
	nxd	4x16,0	4x16,0	4x16,0	4x16,0	4x19,0	4x19,0	4x19,0	8x19,0	8x22,2	8x22,2	12x25

Dimensions CL300												
DN		15	20	25	40	50	65	80	100	150	200	250
[mm]	L	152	178	203	229	267	292	318	356	444	559	622
	D	95	115	125	155	165	191	210	254	318	381	445
	Dk	66,7	82,6	88,9	114,3	127	149,2	168,3	200	269,9	330,2	387,4
	b	12,7	14,3	15,9	19,1	23	26	29	32	37	42	46,1
	nxd	4x16,0	4x19,0	4x19,0	4x22,0	8x19,0	8x22,2	8x22,2	8x22,2	12x22,2	12x25,4	16x28

Dimensions CL300												
DN		15	20	25	40	50	65	80	100	150	200	250
[mm]	L	165	190	216	241	292	330	356	432	559	660	787
	D	95	115	125	155	165	190	210	275	355	420	510
	Dk	66,7	82,6	88,9	114,3	127	149,2	168,3	215,9	292,1	349,2	431,8
	b	14,3	15,9	17,5	22,3	32,4	35,6	38,8	45,1	54,7	62,6	69,5
	nxd	4x16,0	4x19,0	4x19,0	4x22,0	8x19,0	8x22,2	8x22,2	8x25,4	12x28,6	12x31,7	16x34,9